

MAST SPECIFICATIONS and RATED CAPACITIES

B20NS, B25NS

Model	Mast Type	Max. Fork Height	Mast Lowered Height	Extended Height		Free lift		Pneumatic Tire				Solid Soft Tire			
				w/ Load Back-rest	w/o Load Back-rest	w/ Load Back-rest	w/o Load Back-rest	Tilt Angle		Load Capacity		Tilt Angle		Load Capacity	
								B20NS	B25NS	B20NS	B25NS	B20NS	B25NS	B20NS	B25NS
				mm	mm	mm	mm	deg	deg	kg	kg	deg	deg	kg	kg
B20NS B25NS	STD	3,000	2,045	4,247	3,790	150	150	6	10	2,000	2,500	6	10	2,000	2,500
		3,300	2,195	4,547	4,090	150	150	6	10	2,000	2,500	6	10	2,000	2,500
		3,500	2,295	4,747	4,290	150	150	6	10	2,000	2,500	6	10	2,000	2,500
		4,000	2,595	5,347	4,890	150	150	6	6	2,000	2,450	6	6	2,000	2,500
		4,500	2,845	5,847	5,390	150	150	6	6	1,900	2,200	6	6	1,950	2,250
	5,000	3,095	6,347	5,890	150	150	6	6	1,700	1,950	6	6	1,800	2,050	
	FF	2,930	2,015	4,194	3,737	810	1,345	6	10	2,000	2,500	6	10	2,000	2,500
		3,210	2,155	4,474	4,017	950	1,485	6	10	2,000	2,500	6	10	2,000	2,500
		3,580	2,205	4,849	4,392	1,000	1,535	6	10	1,900	2,450	6	10	1,920	2,450
	FFT	3,880	1,880	5,149	4,692	675	1,210	6	6	1,800	2,250	6	6	1,850	2,310
		4,270	2,005	5,554	5,097	800	1,335	6	6	1,780	2,200	6	6	1,790	2,280
		4,710	2,145	5,974	5,517	940	1,475	6	6	1,720	2,100	6	6	1,730	2,150
		5,540	2,495	6,799	6,342	1,290	1,825	6	6	1,510	1,800	6	6	1,550	1,900
		6,010	2,645	7,249	6,792	1,440	1,975	6	6	1,100	1,250	6	6	1,450	1,750

B30NS, B35NS

Model	Mast Type	Max. Fork Height	Mast Lowered Height	Extended Height		Free lift		Pneumatic Tire				Solid Soft Tire			
				w/ Load Back-rest	w/o Load Back-rest	w/ Load Back-rest	w/o Load Back-rest	Tilt Angle		Load Capacity		Tilt Angle		Load Capacity	
								B30NS	B35NS	B30NS	B35NS	B30NS	B35NS	B30NS	B35NS
				mm	mm	mm	mm	deg	deg	kg	kg	deg	deg	kg	kg
B30NS B35NS	STD	3,000	2,045	4,247	3,790	150	150	6	10	3,000	-	6	10	3,000	3,500
		3,300	2,195	4,547	4,090	150	150	6	10	3,000	-	6	10	3,000	3,500
		3,500	2,295	4,747	4,290	150	150	6	10	3,000	-	6	10	3,000	3,500
		4,000	2,595	5,347	4,890	150	150	6	6	2,900	-	6	6	2,950	3,450
		4,500	2,845	5,847	5,390	150	150	6	4	2,750	-	6	4	2,800	3,350
	5,000	3,095	6,347	5,890	150	150	6	4	2,300	-	6	4	2,500	2,850	
	FFL	2,930	2,015	4,194	3,737	810	1,345	6	10	3,000	-	6	10	3,000	3,500
		3,210	2,155	4,474	4,017	950	1,485	6	10	3,000	-	6	10	3,000	3,500
		3,580	2,205	4,849	4,392	1,000	1,535	6	10	3,000	-	6	10	3,000	3,500
	FFT	3,880	1,880	5,149	4,692	675	1,210	6	6	2,800	-	6	6	2,850	3,400
		4,270	2,005	5,554	5,097	800	1,335	6	6	2,700	-	6	6	2,750	3,350
		4,710	2,145	5,974	5,517	940	1,475	6	4	2,600	-	6	4	2,650	3,020
		5,540	2,495	6,799	6,342	1,290	1,825	6	4	2,100	-	6	4	2,400	2,800
		6,010	2,645	7,249	6,792	1,440	1,975	6	4	1,500	-	6	4	2,200	2,450

Note : Mast Specifications & Rated capacities are based on standard chassis without side shifter. Products and specifications are subject to improvement and change without prior notices.



Doosan Industrial Vehicle Europe nv
 Europark-Noord 36A
 9100 Sint-Niklaas
 Belgium
 Tel.: +32 3 760 09 87
 Fax: +32 3 760 09 89
 Website: www.doosan-iv.eu

Authorized Dealer

B25NS-201013ENV1 (October 2020)



B20NS / B25NS / B30NS / B35NS

NXE SERIES FORKLIFTS

Electric 2.0 to 3.5 ton capacity

4-wheel

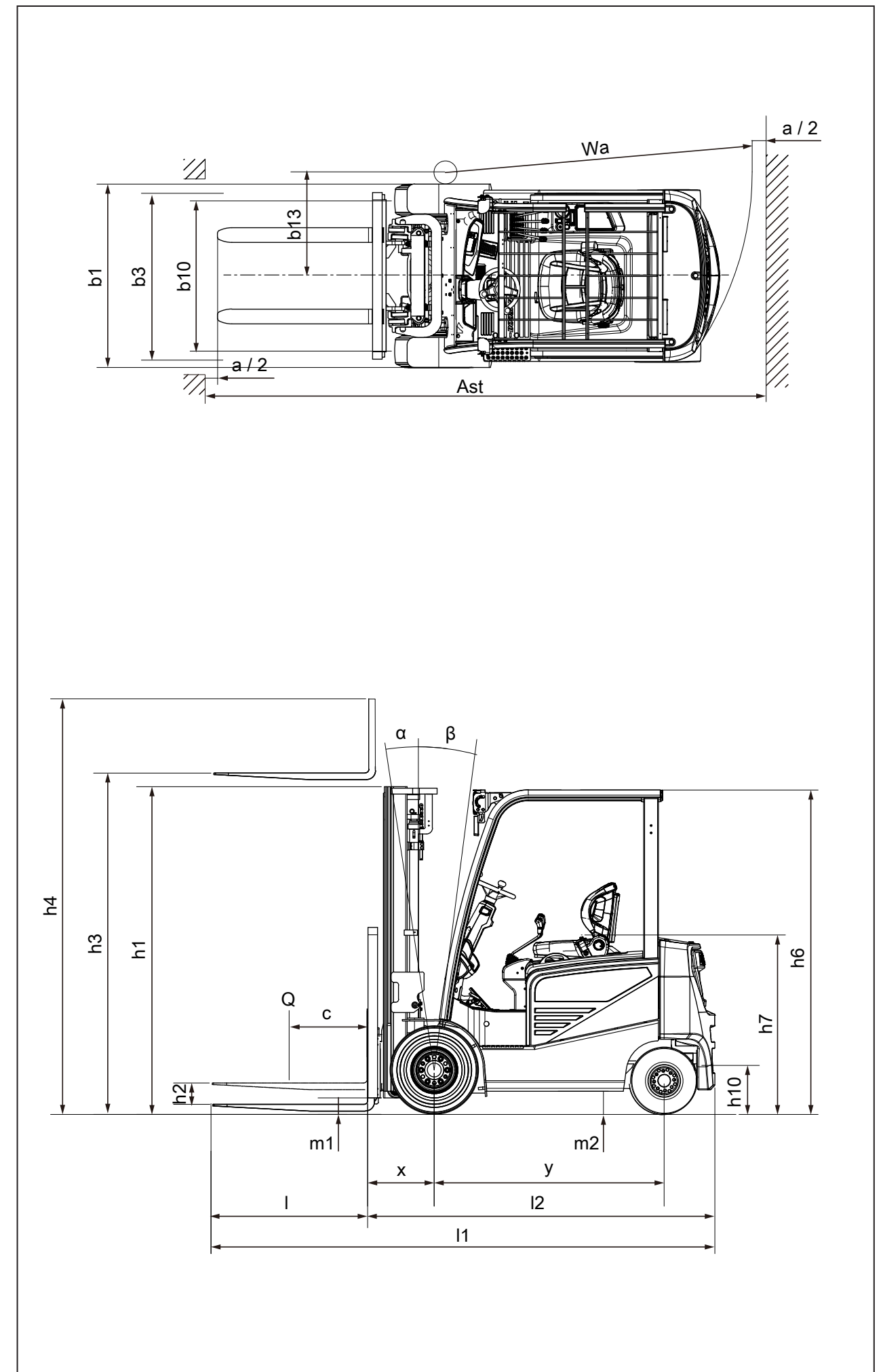


Technical Data according to VDI 2198

Characteristics	1.1		Manufacturer		DOOSAN	DOOSAN	DOOSAN
		1.1	Manufacturer			DOOSAN	DOOSAN
	1.2	Manufacturer's type designation			B20NS	B25NS	B30NS
	1.3	Drive			Electric	Electric	Electric
	1.4	Operator typer			Seated	Seated	Seated
	1.5	Load capacity/rated load kg(lb)	kg	Q	2,000	2,500	3,000
	1.6	Load centre distance	mm	c	500	500	500
	1.8	Load distance, centre of drive axle to fork	mm	x	457	457	457
	1.9	Wheelbase	mm	y	1,560	1,560	1,710
Weight	2.1	Service weight (with min. weight of battery)	kg		3,810	4,150	4,360
	2.2	Axle loading, loaded front/rear	kg		5,190/620	5,979/671	6,500/860
	2.3	Axle loading, unloaded front/rear	kg		1,658/2,152	1,830/2,320	1,882/2,478
Tyres	3.1	Tires: pneumatic (P), superelastic (SE), cushion (C) SE			P / SE	P / SE	P / SE
	3.2	Tire size, front			23X9-10	23X9-10	23X10-12
	3.3	Tire size, rear			18X7-8	18X7-8	18X7-8
	3.5	Wheels, number front/rear (x=driven wheels)			2X/2	2X/2	2X/2
	3.6	Tread width, front	mm	b10	1,019	1,019	1,014
	3.7	Tread width, rear	mm	b11	995	995	995
	Dimensions	4.1	Tilt of mast/fork carriage forward (α)/backward(β)	deg	α / β	6 / 10	6 / 10
4.2		Height, mast lowered	mm	h1	2,045	2,045	2,045
4.3		Free lift	mm	h2	150	150	150
4.4		Lift (with STD 2-stage mast)	mm	h3	3,000	3,000	3,000
4.5		Height, mast extended	mm	h4	4,247	4,247	4,247
4.7		Height to top of overhead guard	mm	h6	2,180	2,180	2,180
4.8		Seat height/stand height	mm	h7	1,183	1,183	1,183
4.12		Towing coupling height	mm	h10	360	360	360
4.19		Overall length	mm	l1	3,360	3,400	3,570
4.20		Length to face of forks	mm	l2	2,310	2,350	2,520
4.21		Overall width	mm	b1	1,244	1,244	1,244
4.22		Fork dimensions	mm		45/100/1,050	45/100/1,050	45/122/1,050
4.23		Fork carriage ISO 2328. Class/type A, B			II	II	III
4.24		Fork carriage width	mm	b3	1,102	1,102	1,116
4.24a		Fork Spacing (min/max)	mm		250/1,032	250/1,032	272/1,104
4.31		Ground clearance, with load, below mast	mm	m1	140	140	140
4.32		Ground clearance, centre of wheelbase	mm	m2	125	125	125
4.34.1		Aisle width for pallets 1,000 x 1,200 crossways	mm	Ast	3,697	3,717	3,957
4.34.2		Aisle width for pallets 800 x 1,200 lengthways	mm	Ast	3,897	3,917	4,157
4.35		Turning radius	mm	Wa	2,040	2,060	2,300
4.36		Internal turning radius	mm	b13	650	650	677
Performance	5.1	Travel speed, loaded / unloaded	km/h		14/15	14/15	14/15
	5.2	Lift speed, loaded / unloaded	mm/s		320/450	300/450	280/400
	5.3	Lowering speed, loaded / unloaded	mm/s		500/460	500/460	380/365
	5.6	Maximum drawbar pull, loaded / unloaded, 5 minute rating	N		10,910/10,500	1,0910/10,700	14,460/13,560
	5.8	Maximum gradeability, loaded / unloaded, 5 minute rating	%		15 / 27	15 / 25	15 / 27
	5.10	Service brake			Electric	Electric	Electric
		Parking brake			Mech/EPB	Mech/EPB	Mech/EPB
Electric engine	6.1	Drive motor rating S2 60 minute	kW		11/9	11/9	16.6/12
	6.2	Lifting motor rating at S3 15%	kW		12/14	12/14	13.5/16
		Battery type			Lead-acid	Lead-acid	Lead-acid
	6.3	Battery Compartment L/W/H	mm		570x1,028x755	570x1,028x755	710x1,028x745
	6.4	Battery voltage/nominal capacity K	V/Ah		48/775	48/775	80/620
	6.5	Battery weight	kg		1,000	1,000	1,582
Additional data	8.1	Type of drive control unit			AC	AC	AC
	10.1	Working press for attachments	bar	System	200	200	200
			Attachment	200	200	200	
10.7	Sound level at the driver's ear according to EN 12 053	dB (A)			68	68	68

DIMENSIONAL DRAWING

DOOSAN
B35NS
Electric
Seated
3,500
500
462
1,710
5,230
7,760/970
2,288/2,942
SE
23X10-12
18X7-8
2X/2
1,014
995
6 / 10
2,045
150
3,000
4,252
2,180
1,183
360
3,600
2,550
1,244
50/122/1,050
III
1,116
272/1,104
140
125
3,962
4,162
2,300
677
14/15
250/400
380/365
14,460/13,860
15 / 25
Electric
Mech/EPB
16.6/12
13.5/16
Lead-acid
710x1,028x745
80/620
1,582
AC
200
200
68



Note : Specification values quoted in this specification sheet have been rounded. Performance may vary due to operation conditions. Products and specifications are subject to improvement and change without prior notices.