

B35X-7 Plus

Mast type	Maximum fork height	Maximum lowered height	Fully extended height	free lift	Rated load capacities							
					with load backrest	with load backrest	Tilt Angle				Load capacities	
							Single pneu.		Single solid		Single pneu.	Single solid
							FWD	BWD	FWD	BWD	LC 500mm	LC 500mm
mm	mm	mm	mm	deg	deg	deg	deg	kg	kg			
STD	2,720	2,020	3,970	152	6	9	6	9	3,500	3,500		
	3,000	2,160	4,250	152	6	9	6	9	3,500	3,500		
	3,495	2,410	4,750	152	6	9	6	9	3,500	3,500		
	3,655	2,560	4,905	152	6	9	6	9	3,500	3,500		
	3,805	2,635	5,055	152	6	9	6	9	3,500	3,500		
	4,805	3,135	6,055	152	6	5	6	9	3,125	3,425		
FF	2,720	2,020	3,970	820	6	5	6	9	3,500	3,500		
	3,000	2,160	4,250	960	6	5	6	9	3,500	3,500		
	3,495	2,410	4,745	1,210	6	5	6	9	3,500	3,500		
FFT	3,555	1,885	4,805	685	6	9	6	9	3,400	3,400		
	3,960	2,020	5,210	820	6	9	6	9	3,400	3,400		
	4,380	2,160	5,630	960	6	9	6	9	3,300	3,400		
	4,820	2,330	6,070	1,130	6	5	6	9	3,175	3,400		
	5,205	2,510	6,455	1,310	6	5	6	9	2,575	3,300		
	5,655	2,660	6,905	1,460	6	5	6	5	2,000	3,200		

Note: These load capacities are based on the standard chassis without side shifter.

Specification values quoted in this catalog have been rounded.
 Products and specifications are subject to improvement and change without notice.
 Performance may vary due to operating conditions.
 The performance shown represents nominal values obtained under typical operating conditions.



B25X-7 Plus / B30X-7 Plus / B35X-7 Plus

7-SERIES PLUS FORKLIFTS

Electric 2.5 to 3.5 ton capacity



B25X-7 PLUS-210817ENV1 (August 2021)

Authorized Dealer



Doosan Industrial Vehicle Europe nv

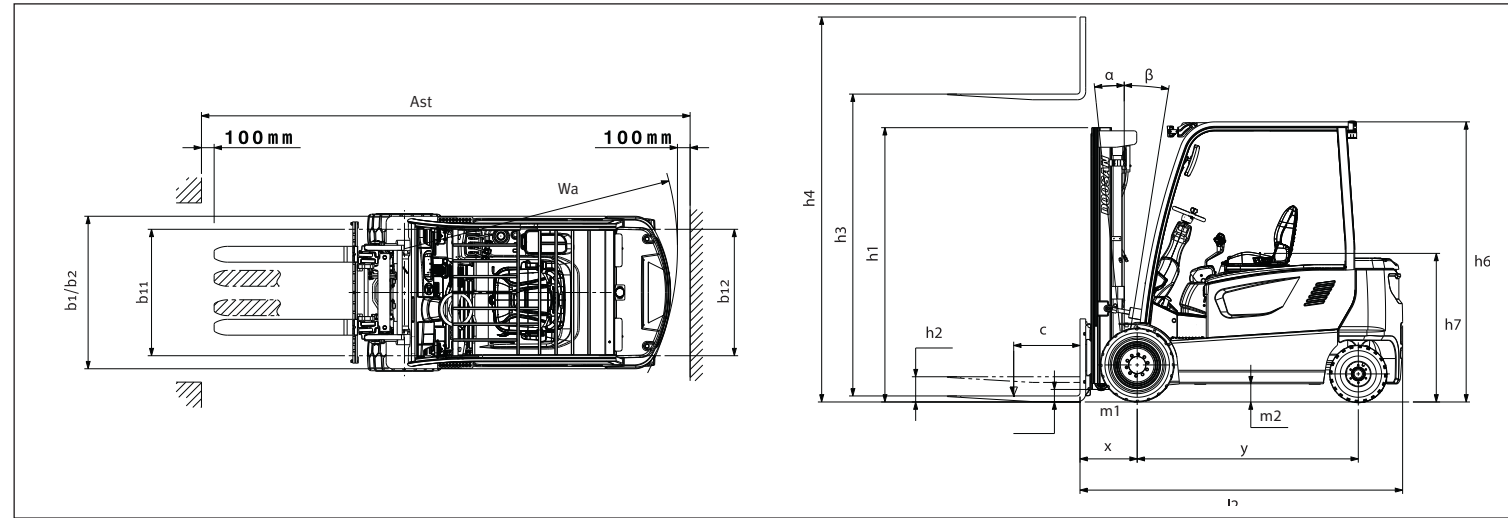
Europark-Noord 36A
 9100 Sint-Niklaas
 Belgium

Tel.: +32 3 760 09 87
 Fax: +32 3 760 09 89
 Website: www.doosan-iv.eu

Technical Data according to VDI 2198

Characteristics			Doosan	Doosan	Doosan		
	1.1	Manufacturer		Doosan	Doosan	Doosan	
1.2	Model		B25X-7 Plus	B30X-7 Plus	B35X-7 Plus		
1.3	Drive		AC Electric	AC Electric	AC Electric		
1.4	Operator type		driver seated	driver seated	driver seated		
1.5	Load Capacity	Q	kg	2,500	3,000	3,500	
1.6	Load Center	c	mm	500	500	500	
1.8	Load Distance: Center of Drive axle to fork	x	mm	448	454	454	
1.9	Wheelbase	y	mm	1,589	1,734	1,750	
Weight	2.1	Service weight with min. weight of battery	kg	4,623	5,068	5,486	
	2.2	Axle loading, loaded, front/rear	kg	6,275/848	7,197/870	7,940/1,046	
	2.3	Axle loading, unloaded, front/rear	kg	2,284/2,339	2,547/2,521	2,532/2,954	
Tyres	3.1	Tyres: pneumatic (P). solid (E), cushion (C)		P, E	P, E	P, E	
	3.2	Tyre size. Front		23X10-12	23X10-12	23X10-12	
	3.3	Tyre size. Rear		18X7-8	18X7-8	18X7-8	
	3.5	Wheels. number Front/Rear (x = driven wheels)		2X/2	2X/2	2X/2	
	3.6	Tread. Front	b11	mm	998	998	998
	3.7	Tread. Rear	b12	mm	998	998	998
	4.1	Tilt of Mast/Fork carriage Forward/Backward	α/β	°	6/9	6/9	6/9
Dimensions	4.2	Height, Mast lowered	h1	mm	2,160	2,160	2,160
	4.3	Free Lift	h2	mm	147	152	152
	4.4	Maximum Fork Height	h3	mm	3,230	3,230	3,000
	4.5	Height, Mast Extended	h4	mm	3,990	3,990	3,760
	4.7	Height of Overhead Guard	h6	mm	2,185	2,210	2,210
	4.8	Height of Seat	h7	mm	1,070	1,070	1,070
	4.19	Overall Length	l1	mm	3,379	3,530	3,614
	4.20	Length to Forkface	l2	mm	2,329	2,480	2,564
	4.21	Overall Width	b1/b2	mm	1,245	1,245	1,245
	4.22	Fork Dimensions	s/e/l	mm	40X100X1,050	45X125X1,050	45X125X1,050
	4.23	Fork carriage ISO 2328, class			II	III	III
	4.24	Fork carriage width	b3	mm	1,103	1,115	1,115
	4.24a	Fork spacing		mm	272/1,035	286/1,044	286/1,044
	4.31	Ground Clearance. loaded. below mast	m1	mm	130	130	130
	4.32	Ground Clearance. center of wheelbase	m2	mm	140	140	140
	4.34.1	Aisle width for pallets 1.000 X 1.200 crossways	Ast	mm	3,620	3,772	3,832
	4.34.2	Aisle width for pallets 800 X 1.200 lengthways	Ast	mm	3,799	3,950	4,010
	4.35	External Turning Radius	Wa	mm	1,950	2,095	2,155
	4.36	Internal Turning Radius	b13	mm	348	340	340
	Performance data	5.1	Travel Speed. loaded/unloaded		km/h	16/18	16/18
5.2		Lift Speed. loaded/unloaded		mm/s	480/600	420/600	380/600
5.3		Lowering Speed. loaded/unloaded		mm/s	490/460	490/460	500/460
5.6		Max. Drawbar pull. loaded/unloaded		N	17,338/16,426	17,338/16,426	17,338/16,426
5.9		Max. Gradeability. loaded/unloaded		%	25/38	22/34	20/31
5.10		Service brake			hydraulic	hydraulic	hydraulic
Electric Engine		Parking brake			auto-electric	auto-electric	auto-electric
	6.1	Drive motor S2 60 min		kW	10.0 X 2	10.0 X 2	10.0 X 2
	6.2	Lift motor rating at S3 15%		kW	21	21	21
	6.3	Battery Compartment		mm	1,040 X 720 X 805	1,040 X 865 X 805	
	6.4	Battery voltage, nominal capacity K5		V/Ah	80/500	80/600	80/600
6.5	Battery weight		kg	1,560	1,870	1,870	
Addition Data	8.1	Type of drive control			MOSFET Inverter		
	8.2	Operating pressure for attachments		System Attachment	bar	193	207
					155	155	155

DIMENSIONAL DRAWING



MAST SPECIFICATIONS and RATED CAPACITIES

B25X-7 Plus

Mast type	Maximum fork height	Maximum lowered height	Fully extended height	free lift	Rated load capacities							
					with load backrest	with load backrest	Tilt Angle				Load capacities	
							Single pneu.		Single solid		Single pneu.	Single solid
							FWD	BWD	FWD	BWD	LC 500mm	LC 500mm
mm	mm	mm	mm	deg	deg	deg	deg	kg	kg			
STD	2,950	2,020	4,200	147	6	9	6	9	2,500	2,500		
	3,230	2,160	4,480	147	6	9	6	9	2,500	2,500		
	3,500	2,410	4,755	147	6	9	6	9	2,500	2,500		
	3,800	2,560	5,055	147	6	9	6	9	2,500	2,500		
	3,950	2,635	5,205	147	6	9	6	9	2,500	2,500		
	4,350	2,835	5,605	147	6	9	6	9	2,500	2,500		
FF	2,950	2,020	4,200	815	6	9	6	9	2,500	2,500		
	3,230	2,160	4,480	955	6	9	6	9	2,500	2,500		
	3,600	2,410	4,855	1,205	6	9	6	9	2,500	2,500		
FFT	3,900	1,885	5,155	680	6	9	6	9	2,500	2,500		
	4,290	2,020	5,560	815	6	9	6	9	2,500	2,500		
	4,730	2,160	5,980	955	6	9	6	9	2,475	2,500		
	4,805	2,165	6,055	980	6	9	6	9	2,450	2,475		
	5,560	2,510	6,805	1,305	6	9	6	9	2,275	2,325		
	6,010	2,660	7,255	1,455	6	9	6	9	1,700	2,250		

B30X-7 Plus

Mast type	Maximum fork height	Maximum lowered height	Fully extended height	free lift	Rated load capacities							
					with load backrest	with load backrest	Tilt Angle				Load capacities	
							Single pneu.		Single solid		Single pneu.	Single solid
							FWD	BWD	FWD	BWD	LC 500mm	LC 500mm
mm	mm	mm	mm	deg	deg	deg	deg	kg	kg			
STD	2,950	2,020	4,200	152	6	9	6	9	3,000	3,000		
	3,230	2,160	4,480	152	6	9	6	9	3,000	3,000		
	3,500	2,410	4,755	152	6	9	6	9	3,000	3,000		
	3,800	2,560	5,055	152	6	9	6	9	3,000	3,000		
	3,950	2,635	5,205	152	6	9	6	9	3,000	3,000		
	4,350	2,835	5,605	152	6	9	6	9	2,950	3,000		
FF	2,950	2,020	4,200	820	6	9	6	9	3,000	3,000		
	3,230	2,160	4,480	960	6	9	6	9	3,000	3,000		
	3,600	2,410	4,855	1,210	6	9	6	9	3,000	3,000		
FFT	3,900	1,885	5,155	685	6	9	6	9	2,900	2,900		
	4,290	2,020	5,560	820	6	9	6	9	2,900	2,900		
	4,730	2,160	5,980	960	6	9	6	9	2,850	2,875		
	4,805	2,185	6,055	985	6	9	6	9	2,850	2,875		
	5,560	2,510	6,805	1,310	6	9	6	9	2,300	2,700		
	6,010	2,660	7,255	1,460	6	9	6	9	1,775	2,600		

*Please refer to the technical bulletin and contact your Doosan representative for more detail information of battery size. This specification sheet to VDI guideline 2198 only gives the technical figures for the standard truck. Different tires, other masts, additional equipment etc. could give different figures.