

MAST SPECIFICATIONS and RATED CAPACITIES

D80S-9

Shaft Type Carriage (without Sideshifter, Without Fork Mover)					Rated Load Capacities		
Mast type	Maximum fork height	Maximum lowered height	Fully extended height	Free lift	D80S-9		
					Double Pneumatic		
					Tilt Angle		Load Capacities
					with load backrest	with load backrest	LC 600mm
mm	mm	mm	mm	FWD	BWD	kg	
				deg	deg		
STD	3,100	2,835	4,375	215	15	10	8,000
	3,300	2,935	4,575	215	15	10	8,000
	3,600	3,085	4,875	215	15	10	8,000
	4,100	3,435	5,375	215	15	10	8,000
	4,600	3,685	5,875	215	15	10	8,000
	5,100	3,935	6,375	215	15	10	8,000
	5,400	4,085	6,675	215	15	10	8,000
	5,600	4,185	6,875	215	15	10	7,800
	6,500	4,735	7,775	215	15	10	7,400
FFT	4,350	2,630	5,625	1,420	15	10	8,000
	4,800	2,780	6,075	1,570	15	10	8,000
	5,400	2,980	6,675	1,770	15	10	7,750
	5,850	3,130	7,125	1,920	15	10	7,500
	6,540	3,410	7,815	2,200	15	10	7,100
	7,650	3,780	8,925	2,570	15	10	5,400
FFTC	4,350	2,630	5,625	1,420	15	10	8,000
	4,800	2,780	6,075	1,570	15	10	8,000
	5,400	2,980	6,675	1,770	15	10	7,750
	5,850	3,130	7,125	1,920	15	10	7,500
	6,540	3,410	7,815	2,200	15	10	7,100
	7,650	3,780	8,925	2,570	15	10	5,400

D90S-9

Shaft Type Carriage (without Sideshifter, Without Fork Mover)					Rated Load Capacities		
Mast type	Maximum fork height	Maximum lowered height	Fully extended height	Free lift	D90S-9		
					Double Pneumatic		
					Tilt Angle		Load Capacities
					with load backrest	with load backrest	LC 600mm
mm	mm	mm	mm	FWD	BWD	kg	
				deg	deg		
STD	3,100	2,835	4,375	215	15	10	9,000
	3,300	2,935	4,575	215	15	10	9,000
	3,600	3,085	4,875	215	15	10	9,000
	4,100	3,435	5,375	215	15	10	9,000
	4,600	3,685	5,875	215	15	10	9,000
	5,100	3,935	6,375	215	15	10	9,000
	5,400	4,085	6,675	215	15	10	8,900
	5,600	4,185	6,875	215	15	10	8,750
	6,500	4,735	7,775	215	15	10	8,200
FFT	4,350	2,630	5,625	1,420	15	10	9,000
	4,800	2,780	6,075	1,570	15	10	9,000
	5,400	2,980	6,675	1,770	15	10	8,700
	5,850	3,130	7,125	1,920	15	10	8,350
	6,540	3,410	7,815	2,200	15	10	7,900
	7,650	3,780	8,925	2,570	15	10	5,400
FFTC	4,350	2,630	5,625	1,420	15	10	9,000
	4,800	2,780	6,075	1,570	15	10	9,000
	5,400	2,980	6,675	1,770	15	10	8,700
	5,850	3,130	7,125	1,920	15	10	8,350
	6,540	3,410	7,815	2,200	15	10	7,900
	7,650	3,780	8,925	2,570	15	10	5,400

Note : Mast Specifications & Rated Capacities are based on standard chassis with pneumatic tire and without side shifter.



D60S-9 / D70S-9 / D80S-9 / D90S-9

9-SERIES FORKLIFTS

Pneumatic Diesel 6.0 to 9.0 ton capacity

Euro Stage V



EUD70S9-211208ENV2 (December 2021)



Doosan Industrial Vehicle Europe nv

Europark-Noord 36A
9100 Sint-Niklaas
Belgium

Tel.: +32 3 760 09 87
Fax: +32 3 760 09 89
Website: www.doosan-iv.eu

Authorized Dealer

Technical Data according to VDI 2198

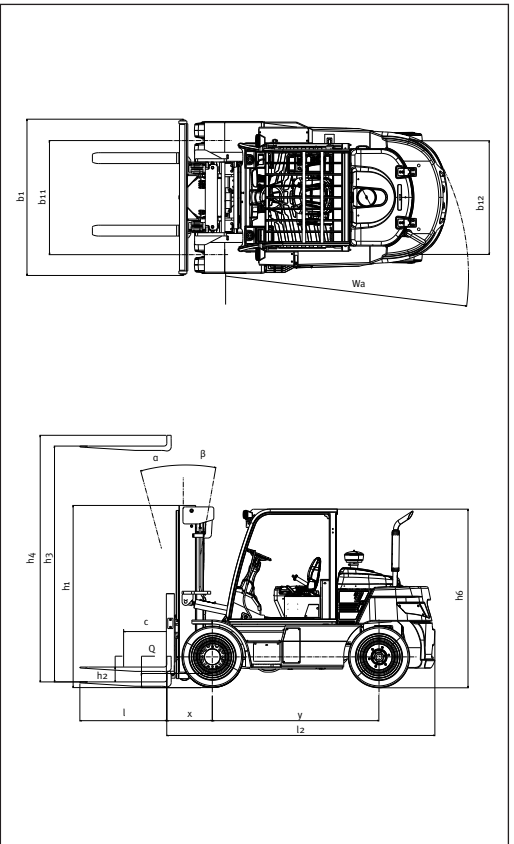
Characteristics	1.1	Manufacturer			Doosan	Doosan	Doosan	Doosan
	1.2	Model			D60S-9	D70S-9	D80S-9	D90S-9
	1.3	Drive			diesel			
	1.4	Operator type			seated			
	1.5	Load Capacity	Q	kg	6,000	7,000	8,000	9,000
	1.6	Load Center	c	mm	600			
	1.8	Load Distance: Center of Drive axle to fork	x	mm	632		725	
	1.9	Wheelbase	y	mm	2,300		2,500	
	Weight	2.1	Service weight		kg	9,435	10,100	11,330
2.2		Axle Loading, loaded, front/rear		kg	13,530/1,970	14,955/2,210	17,165/2,230	18,625/2,420
2.3		Axle Loading, unloaded, front/rear		kg	4,285/5,150	4,175/5,925	4,900/6,430	4,820/7,160
Tyres	3.1	Tyres: pneumatic (P), solid (S)			P/S			
	3.2	Tyre size, Front			8.25x15-14PR		9.00x20-14PR	
	3.3	Tyre size, Rear			8.25x15-14PR		9.00x20-14PR	
	3.5	Wheels: number Front/Rear (x = driven wheels)			4X/2			
	3.6	Tread, front	b11	mm	1,584		1,668	
	3.7	Tread, rear	b12	mm	1,550		1,750	
	Dimensions	4.1	Tilt of mast/Fork carriage forward/backward	α/β	°	15/10		
4.2		Height, Mast lowered	h1	mm	2,495		2,835	
4.3		Free Lift	h2	mm	205		215	
		Maximum Fork Height	h3	mm	3,000		3,100	
4.5		Height, Mast Extended	h4	mm	4,275		4,375	
4.7		Height of Overhead Guard (Cabin)	h6	mm	2,468 (2,535)		2,673 (2,771)	
4.8		Height of Seat	h7	mm	1,455		1,526	
4.19		Overall Length	l1	mm	4,818	4,897	5,214	5,240
4.20		Length to Forkface	l2	mm	3,618	3,697	4,014	4,040
4.21		Overall Width	b1/b2	mm	2,156		2,230	
4.22		Fork Dimensions	s/e/l	mm	60X180X1,200		70X180X1,200	
4.23		Fork carriage ISO 2328, class/type A,B			4 A		5 A	
4.24		Fork carriage width	b3	mm	2,156		2,216	
4.31		Ground Clearance, loaded, below mast	m1	mm	196		283	
4.32		Ground Clearance, center of wheelbase	m2	mm	214		329	
4.34.1		Aisle width for pallets 1.000 x 1.200 crossways	Ast	mm	5,212	5,262	5,575	5,605
4.34.2		Aisle width for pallets 800 x 1.200 lengthways	Ast	mm	5,412	5,462	5,775	5,805
4.35		External Turning Radius	Wa	mm	3,380	3,430	3,650	3,680
4.36		Internal Turning Radius	b13	mm	1,344		1,468	
Performance data		5.1	Travel Speed, loaded/unloaded		km/h	30.7/34.7	30.8/34.3	28.6/34.5
	5.2	Lift Speed, loaded/unloaded		mm/s	470/530	500/540	410/470	440/480
	5.3	Lowering Speed, loaded/unloaded		mm/s	500/450			
	5.5	Drawbar pull, loaded (@ 1.6km/h)		kg	5,012	6,214	5,000	6,165
	5.6	Max. Drawbar Pull, loaded/unloaded		kg	6,705	7,928	6,723	7,878
	5.7	Gradeability, loaded/unloaded (@ 1.6 km/h)		%	34.8/62	45/89	31/57	39/75
	5.8	Max. Gradeability, loaded/unloaded		%	49/95	61/100	43/85	52/100
	5.10	Service Brake			foot/hydraulic			
Combustion Engine	7.1	Engine Manufacturer/ type			DM03V	DM03VA	DM03V	DM03VA
	7.2	Engine power according to DIN ISO1585		kW	55.4	80.9	55.4	80.9
	7.3	Rated Speed		min-1	2,300			
	7.3.1	Max. Torque		Nm/rpm	400/1,300	460/1,400	400/1,300	460/1,400
	7.4	Number of Cylinders/Displacement		-/cm3	4/3,409			
	7.5	Fuel consumption according to EN mode		l/h	5.8	4.8	6.0	5.0
	7.10	Battery Voltage/normal capacity		V/Ah	24/100			
Additional Data	10.1	Operating pressure for attachments		bar	145			
	10.2	Oil volume for attachments		l/min	135			
	10.4	Fuel tank capacity		l	160		255	
	10.7	Sound level at the driver's ear according to EN12053		dB(A)	72	74	72	74

Note : Specification values quoted in this specification sheet have been rounded. Performance may vary due to operation conditions. Products and specifications are subject to improvement and change without prior notices.

MAST SPECIFICATIONS and RATED CAPACITIES DIMENSIONAL DRAWING

D60S-9

Mast type	Shaft Type Carriage (without Sideshifter, Without Fork Mover)				Rated Load Capacities		
	Maximum fork height	Maximum lowered height	Fully extended height	Free lift	D60S-9		
					Double Pneumatic		Load Capacities
			with load backrest	with load backrest	FWD	BWD	
mm	mm	mm	mm	deg	deg	kg	
STD	2,800	2,395	4,075	205	15	10	6,000
	3,000	2,495	4,275	205	15	10	6,000
	3,500	2,745	4,775	205	15	10	6,000
	3,700	2,845	4,975	205	15	10	6,000
	4,000	2,995	5,275	205	15	10	6,000
	4,500	3,345	5,775	205	15	10	6,000
	5,000	3,595	6,275	205	15	10	6,000
	5,500	3,845	6,775	205	15	10	5,900
	6,000	4,095	7,275	205	15	10	5,750
	6,500	4,445	7,775	205	15	10	5,500
FFT	4,250	2,440	5,270	1,480	15	10	6,000
	4,550	2,540	5,570	1,580	15	10	6,000
	5,000	2,690	6,020	1,730	15	10	5,800
	5,600	2,890	6,620	1,930	15	10	5,500
	6,050	3,040	7,070	2,080	15	10	5,300
	6,500	3,240	7,520	2,280	15	10	5,150
	7,275	3,500	8,295	2,540	15	10	4,850
FFTC	4,550	2,580	5,570	1,580	15	10	6,000
	5,000	2,730	6,020	1,730	15	10	5,800
	5,600	2,930	6,620	1,930	15	10	5,500
	6,050	3,080	7,070	2,080	15	10	5,300
	6,500	3,280	7,520	2,280	15	10	5,150
	6,800	3,380	7,820	2,380	15	10	5,050
	7,275	3,540	8,295	2,540	15	10	4,850



D70S-9

Mast type	Shaft Type Carriage (without Sideshifter, Without Fork Mover)				Rated Load Capacities		
	Maximum fork height	Maximum lowered height	Fully extended height	Free lift	D70S-9		
					Double Pneumatic		Load Capacities
			with load backrest	with load backrest	FWD	BWD	
mm	mm	mm	mm	deg	deg	kg	
STD	2,800	2,395	4,075	205	15	10	7,000
	3,000	2,495	4,275	205	15	10	7,000
	3,500	2,745	4,775	205	15	10	7,000
	3,700	2,845	4,975	205	15	10	7,000
	4,000	2,995	5,275	205	15	10	7,000
	4,250	3,120	5,525	205	15	10	7,000
	4,500	3,345	5,775	205	15	10	7,000
	5,000	3,595	6,275	205	15	10	7,000
	5,335	3,845	6,610	205	15	10	7,000
	5,500	3,845	6,775	205	15	10	7,000
FFT	4,250	2,440	5,270	1,480	15	10	7,000
	4,550	2,540	5,570	1,580	15	10	7,000
	5,000	2,690	6,020	1,730	15	10	6,900
	5,600	2,890	6,620	1,930	15	10	6,650
	6,050	3,040	7,070	2,080	15	10	6,450
	6,500	3,240	7,520	2,280	15	10	6,200
	7,275	3,500	8,295	2,540	15	10	5,300
FFTC	4,550	2,580	5,570	1,580	15	10	7,000
	5,000	2,730	6,020	1,730	15	10	6,900
	5,600	2,930	6,620	1,930	15	10	6,650
	6,050	3,080	7,070	2,080	15	10	6,450
	6,500	3,280	7,520	2,280	15	10	6,200
	6,800	3,380	7,820	2,380	15	10	6,100
	7,275	3,540	8,295	2,540	15	10	5,300

Note : Mast Specifications & Rated Capacities are based on standard chassis with pneumatic tire and without side shifter