

G33E-7

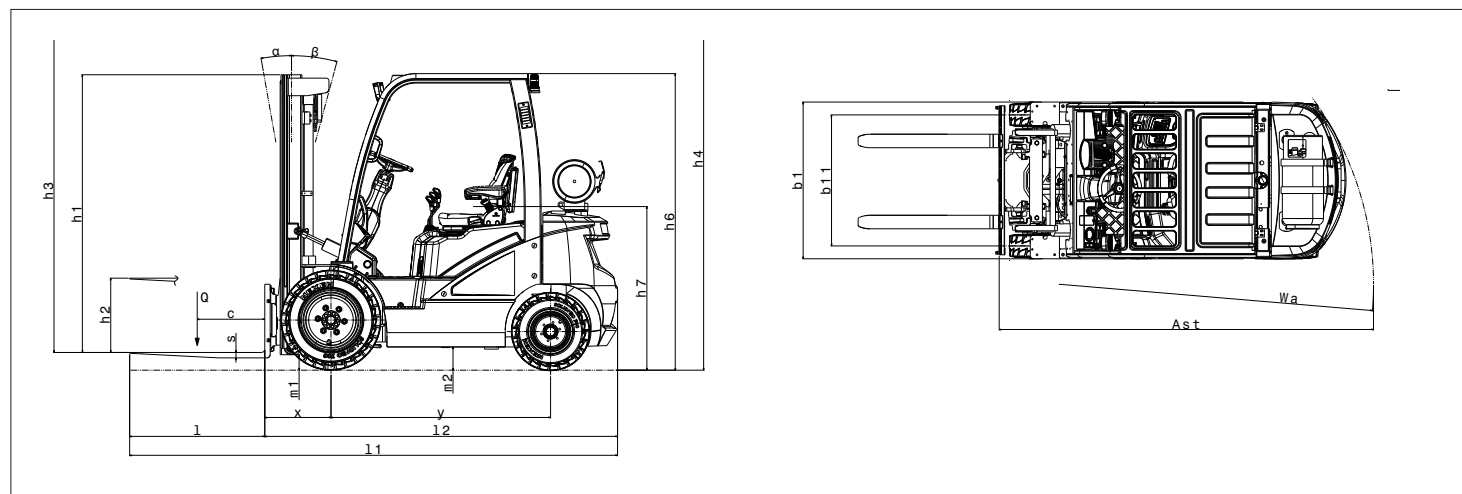
Mast type	Maximum Fork Height	Maximum Lowered Height	Fully Extended Height	Free Lift	Rated Load Capacities										
					With Load Backrest	With Load Backrest	Tilt Angle				Load Capacities				
							Single Pneu.		Double Pneu		Single Solid		Single Pneu.	Double Pneu	Single Solid
							FWD	BWD	FWD	BWD	FWD	BWD	LC 500mm	LC 500mm	LC 500mm
mm	mm	mm	mm	deg	deg	deg	deg	deg	deg	kg	kg	kg			
STD	2,030	1,565	3,290	152	6	10	6	10	6	10	3,250	3,250	3,250		
	2,580	1,840	3,840	152	6	10	6	10	6	10	3,250	3,250	3,250		
	2,950	2,025	4,210	152	6	10	6	10	6	10	3,250	3,250	3,250		
	3,230	2,165	4,490	152	6	10	6	10	6	10	3,250	3,250	3,250		
	3,500	2,415	4,765	152	6	10	6	10	6	10	3,250	3,250	3,250		
	3,800	2,565	5,065	152	6	10	6	10	6	10	3,250	3,250	3,250		
	3,950	2,640	5,215	152	6	10	6	10	6	10	3,175	3,250	3,250		
4,350	2,840	5,615	152	6	5	6	10	6	10	3,175	3,250	3,250			
4,960	3,140	6,215	152	6	3	6	10	6	8	2,450	3,125	3,200			
FF	2,580	1,840	3,840	640	6	10	6	10	6	10	3,250	3,250	3,250		
	2,950	2,025	4,210	825	6	10	6	10	6	10	3,250	3,250	3,250		
	3,230	2,165	4,490	965	6	10	6	10	6	10	3,250	3,250	3,250		
	3,600	2,415	4,865	1,215	6	10	6	10	6	10	3,250	3,250	3,250		
FFT	3,900	1,890	5,165	690	6	8	6	8	6	8	3,250	3,250	3,250		
	4,290	2,025	5,570	825	6	5	6	8	6	8	3,250	3,250	3,250		
	4,730	2,165	5,990	965	6	3	6	8	6	8	2,900	3,175	3,250		
	5,560	2,515	6,815	1,315	6	3	6	8	6	5	1,750	2,975	3,050		
	6,010	2,665	7,265	1,465	6	3	6	5	6	3	1,350	2,875	2,950		

G35EC-7

Mast type	Maximum Fork Height	Maximum Lowered Height	Fully Extended Height	Free Lift	Rated Load Capacities										
					With Load Backrest	With Load Backrest	Tilt Angle				Load Capacities				
							Single Pneu.		Double Pneu		Single Solid		Single Pneu.	Double Pneu	Single Solid
							FWD	BWD	FWD	BWD	FWD	BWD	LC 500mm	LC 500mm	LC 500mm
mm	mm	mm	mm	deg	deg	deg	deg	deg	deg	kg	kg	kg			
STD	1,800	1,565	3,060	152	6	10	6	10	6	10	3,500	3,500	3,500		
	2,350	1,840	3,610	152	6	10	6	10	6	10	3,500	3,500	3,500		
	2,720	2,025	3,980	152	6	10	6	10	6	10	3,500	3,500	3,500		
	3,000	2,165	4,260	152	6	10	6	10	6	10	3,500	3,500	3,500		
	3,495	2,415	4,760	152	6	10	6	10	6	10	3,500	3,500	3,500		
	3,655	2,565	4,915	152	6	10	6	10	6	10	3,500	3,500	3,500		
	3,805	2,640	5,065	152	6	10	6	10	6	10	3,500	3,500	3,500		
	4,205	2,840	5,465	152	6	8	6	10	6	10	3,425	3,425	3,500		
4,805	3,140	6,065	152	6	3	6	8	6	8	3,250	3,275	3,375			
FF	2,350	1,840	3,610	640	6	10	6	10	6	10	3,500	3,500	3,500		
	2,720	2,025	3,980	825	6	10	6	10	6	10	3,500	3,500	3,500		
	3,000	2,165	4,260	965	6	10	6	10	6	10	3,500	3,500	3,500		
	3,495	2,415	4,755	1,215	6	10	6	10	6	10	3,500	3,500	3,500		
FFT	3,555	1,890	4,815	690	6	8	6	8	6	8	3,400	3,400	3,400		
	3,960	2,025	5,220	825	6	8	6	8	6	8	3,400	3,400	3,400		
	4,380	2,165	5,640	965	6	5	6	8	6	8	3,375	3,375	3,400		
	4,820	2,335	6,085	1,135	6	3	6	8	6	8	3,250	3,250	3,350		
	5,205	2,515	6,465	1,315	6	3	6	8	6	5	2,600	3,150	3,250		
5,655	2,665	6,915	1,465	6	3	6	5	6	3	1,975	3,050	3,150			

Note: These load capacities are based on the standard chassis without side shifter.

DIMENSIONAL DRAWING



EUG25E-7-220331ENv1 (March 2022)

Doosan Industrial Vehicle Europe nv
 Europark-Noord 36A
 9100 Sint-Niklaas
 Belgium
 Tel.: +32 3 760 09 87
 Website: www.doosan-iv.eu

Authorised Dealer



G20/25/30/33E-7, G35EC-7

7-SERIES FORKLIFTS

Pneumatic LPG 2.0 to 3.5 tonne capacity

Euro Stage V



