

CROWN

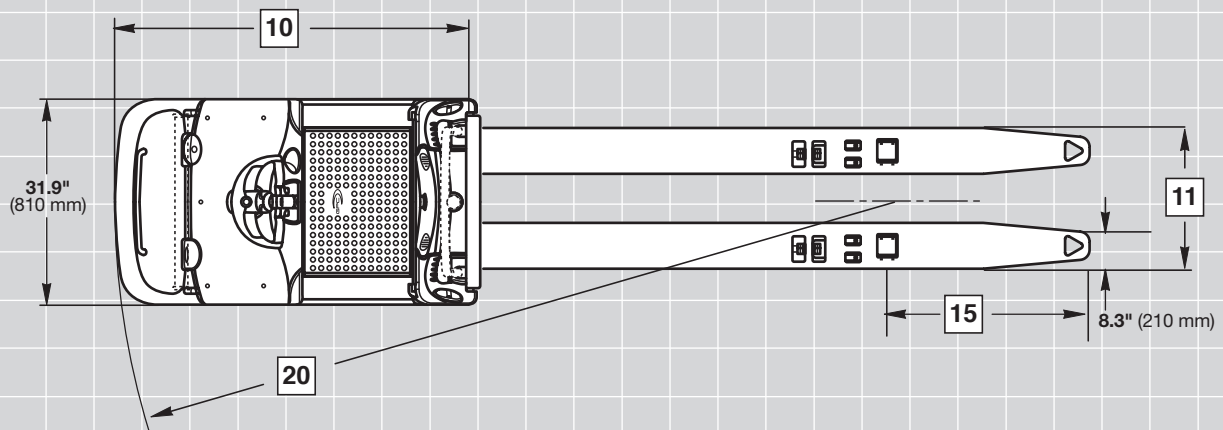
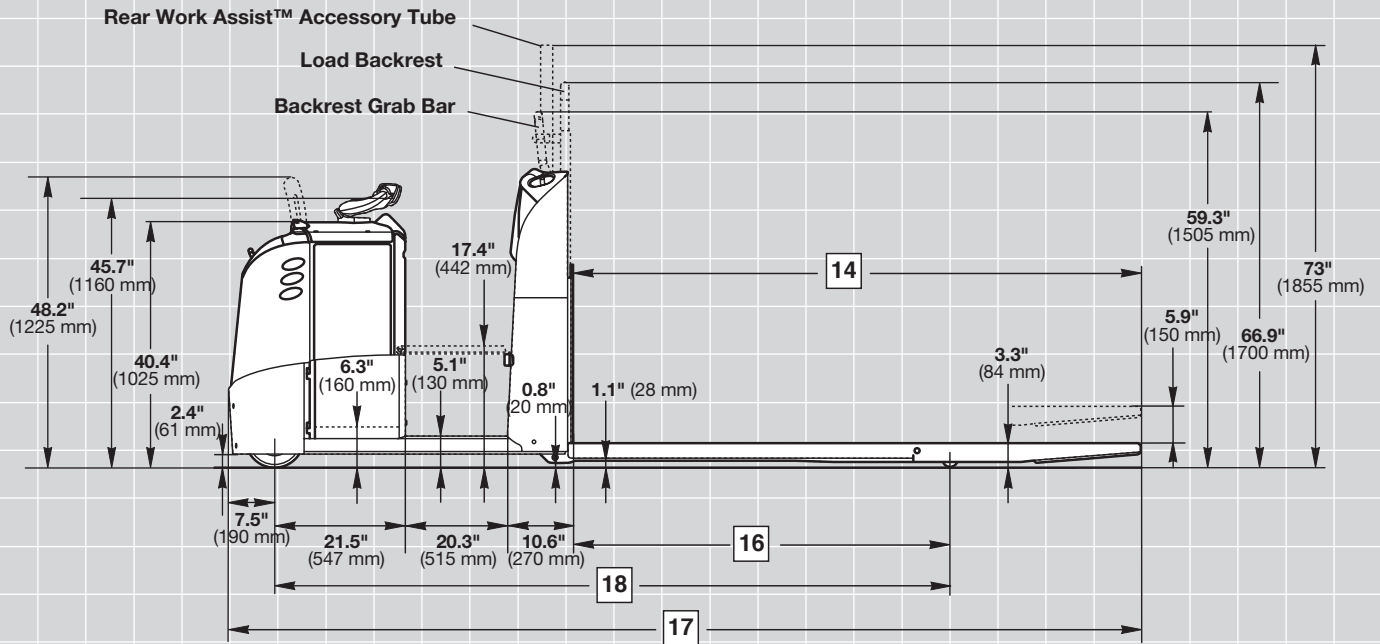
GPC 3000 SERIES

Specifications

Low Level Order Picker



GPC 3060



GPC 3000 Series

Specifications

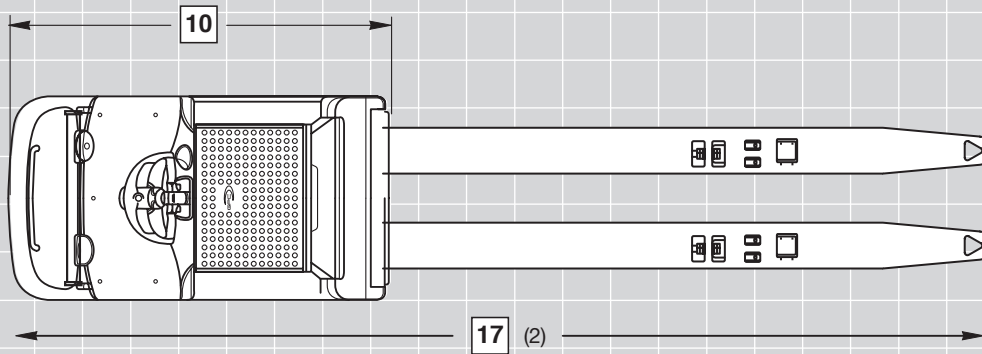
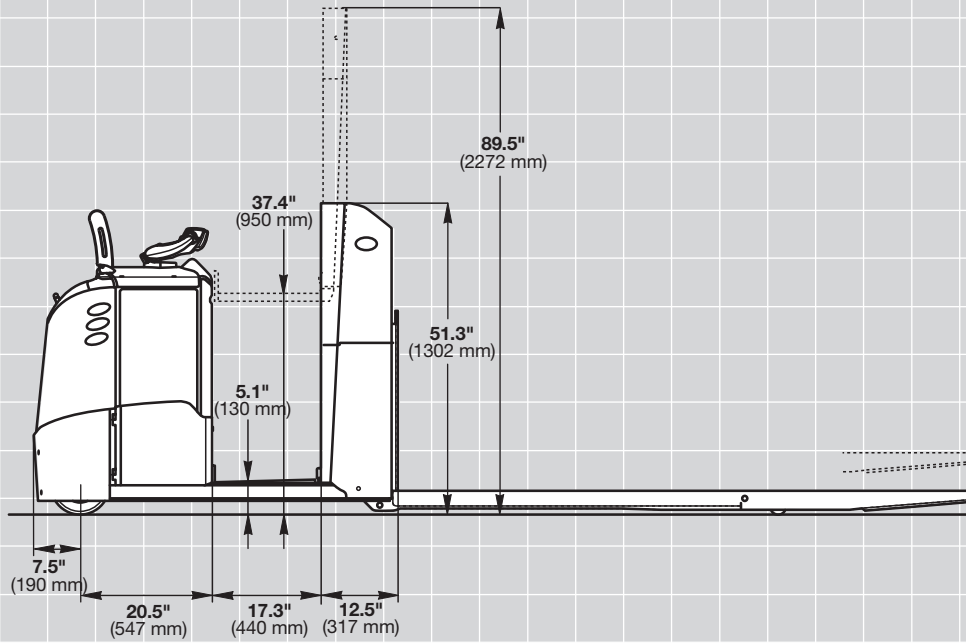
			<i>Imperial</i>	<i>Metric</i>		
General Info	1	Manufacturer	Crown Equipment Corporation			
	2	Model	GPC 3060			
	3	Load Capacity	lb kg	6000	2700	
	4	Operator Type	Stand-up	Walk/Ride		
	5	Power	V/ah	24V / 750		
Dimensions	6	Max Battery Size	WxLxH	in mm	13.00x31.12x30.5	330x790x775
	7	Battery Weight	Min/Max	lb kg	815/1512	370/685
	8	Lift Height		in mm	9.2	234
	9	Lift		in mm	5.9	150
	10	Head Length		in mm	59.9	1522
	11	Outside Fork Spread		in mm	20.5/21.3/22/26.8	520/540/560 / 680
	12	Speed Travel	w/wo Load	mph km/h	5.3/7.8	8.5 / 12.5

GPC 3060			Extended-Tip Forks								
			<i>Imperial</i>	<i>Metric</i>	<i>Imperial</i>	<i>Metric</i>	<i>Imperial</i>	<i>Metric</i>			
Forks	13	Nominal Fork Length		in mm	84	2135	93	2365	96	2440	
	14	Actual Fork Length		in mm	83.75	2130	93	2365	95.75	2435	
	15	Fork Tip Length		in mm	22.6	575	31.9	810	34.6	880	
	16	Load Wheel Distance	Lowered (1)		in mm	61.2	1555	61.2	1555	61.2	1555
	17	Overall Length	(2)		in mm	143.8	3652	153.0	3887	155.8	3957
	18	Wheelbase	Lowered (1,3)		in mm	113.7	2887	113.7	2887	113.7	2887
	19	Grade Clearance	w/wo Load		%	12		12		12	
	20	Turning Radius	Lowered (1,3)		in mm	121.1	3077	121.1	3077	121.1	3077
	21	Truck Weight	w/wo Max Battery (3)	lb kg		3904/2394	1771/1086	3942/2432	1788/1103	3951/2441	1792/1107

- (1) forks raised 4.5" (-115 mm)
- (2) with optional platform lift 3" (+75 mm)
- (3) with optional platform lift 243 lbs (+110 kg)

		<i>Imperial</i>	<i>Metric</i>	
Wheels and Tires	Model	GPC 3060		
	Drive Tire	in mm	9.8x3	250x75
	Load Wheels	in mm	3.2x5.1	82x130
	Casters	in mm	5.9x2.3	150x60

GPC 3060 with Optional Platform Lift



Electric System / Batteries

24-volt electrical system with nominal battery capacities up to 750 Ah.

Standard Equipment

1. Crown Manufactured AC traction motor
2. e-Gen[®] Braking System offers regenerative and frictionless electric braking (mechanical braking applies only as parking brake)
3. Electronic steering with the center mounted X10[®] Handle for precise and effortless control
4. The self centering X10[®] Control Handle places all truck functions at the operator's fingertips
5. Crown Access 1 2 3[®] Comprehensive System Control
6. Intelligent Steering System slows the travel speed in curves
7. Load-dependent speed
8. Crown's Information Display
 - 1 line LCD display with 8 characters
 - Battery discharge indicator
 - Keyless start up with PIN code
 - Start up and run time diagnostics
 - 3 selectable traction performance profiles
 - Hour meters including traction motor, hydraulic motor and run time
 - Access 1 2 3 onboard diagnostic with real time troubleshooting capabilities
9. CAN-Bus technology
10. Ramp hold
11. Low step height of 5.1" (130 mm) with a wide walk-through area
12. Suspended floorboard with a non-slip anti-fatigue floor mat with integrated presence sensors
13. Electric power disconnect plug
14. Large storage compartments
 - Large front storage tray
 - Lower cover in backrest with shrink wrap pocket
 - 2 large storage bins in the backrest
15. Poly heavy-duty drive tire, caster wheel and load wheels
16. Comfort backrest includes
 - soft molded lean pad
 - 2 large storage bins
 - backrest grab handles
17. Cushioned kneepad
18. Battery connector SB175 Gray
19. Heavy duty fork assembly
20. Desktop work surface
21. Front Work Assist[™] accessory tube

22. Heavy duty power unit
 - Heavy gauge steel skirt
 - Easily removable reinforced steel covers
 - Top battery access
23. Pallet entry rollers
24. Battery roll out for both sides

Optional Equipment

1. QuickPick[®] Remote
2. Fork length options
3. Fold-down step (not available with platform lift)
4. Backrest grab bar (standard, if fold-down step is ordered, not available with load backrest and platform lift)
5. Platform lift with an operator stand height of 37.4" (950 mm)
6. Rear load tray for lifting platform
7. Picking guard (requires front Work Assist[™] accessory tube)
8. Pick Position Controls[™] in the backrest
9. Adjustable fold-down lean seat and lower cover in backrest with shrink wrap pocket (not available with platform lift)
10. Max battery size 13.00x31.12x31.5" (330x790x800) (WxLxH)
 - Battery rollout height lowered to 5.3" (135mm) from floor
11. SB 175 red, SB 350 gray, SB 350 red battery connector
12. Power supply 12 volt for electronic tools
13. Key switch
14. Cold storage conditioning
15. Load backrest
16. Audible travel alarm
17. Strobe light (requires rear work assist tube)
18. Floor spotlight (requires front work assist tube)
19. Special paint
20. Rubber bumper
21. Rear storage compartment (not available with load backrest or platform lift)
22. Rear Work Assist[™] accessory tube (not available with load backrest or platform lift)
23. Work Assist[™] Accessories
 - Load tray
 - Foil roll holders
 - Storage pockets
 - Beverage holder
 - Trash bag holder
 - Scan gun holder
 - Small, medium and large clip boards
 - Mounting brackets for WMS terminals
24. Key pad
25. InfoLink[®] ready
26. Supertrac drive tire

Electrical

24 volt electrical system managed by Crown's Access 1 2 3 Comprehensive System Control. Virtually maintenance-free AC traction motor provides strong acceleration and control at any speed. Sensors monitor functional parameters including load, steering, speed and operator position and adjusts operational settings automatically to suit conditions

Power Unit

The rugged power unit is designed for tough real-world applications. A heavy gauge steel skirt protects drive unit and caster components while reinforced steel covers and doors cover all electronics. The uncluttered layout of components provides quick and easy access for servicing.

Operator Area and Controls

Soft and fully suspended floorboard reduces operator fatigue. Wide walk-through compartment with rounded surfaces provides a convenient shortcut even while carrying boxes. Contoured lean pad helps the operator stay centered in the truck while providing a soft contact surface to lean against. Multiple storage pockets provide locations for tools and personal effects.

All truck functions are controlled by the award-winning X10 control handle that allows simultaneous operation of all functions with one hand. Electronic steering is standard, providing precise, predictable control. A large information display provides battery discharge level, operational status and service messages to the operator.

Access 1 2 3[®] Comprehensive System Control

Crown's Access 1 2 3 technology provides optimum performance and control by offering a communications interface for the operator and service technician, intelligent coordination of lift truck systems and simplified service with advanced diagnostics. The display includes a full featured on-board service tool so service technicians can actively view inputs and outputs during truck operation. No laptop is required.

Performance tuning can be accessed at the display to customize truck performance for specific applications or operator requirements.

e-GEN[®] Braking System

The power of the high-torque AC traction motor is used to stop the truck and keep it static until a travel input is requested, even when operating on a gradient. This system eliminates adjustments and wear points for a lifetime of maintenance free use. An automatic parking brake activates if the truck is stopped and the operator leaves the platform or power is disconnected.

Work Assist[®] Accessories

A comprehensive range of Work Assist accessories are available to support a wide range of picking and administrative tasks. These rugged tools can be easily combined and positioned in the location best suited to the application and the user. Customer accessories can also be added using the universal clamp and adapter plate.

Warning Device Options

1. Audible travel alarm
2. Flashing lights

Safety considerations and dangers associated with audible travel alarms and flashing lights include:

- Multiple alarms and/or lights can cause confusion.
- Workers ignore the alarms and/or lights after day-in and day-out exposure.
- Operator may transfer the responsibility for "looking out" to the pedestrians.
- Annoys operators and pedestrians.

Dimensions and performance data given may vary due to manufacturing tolerances. Performance is based on an average size vehicle and is affected by weight, condition of truck, how it is equipped and the conditions of the operating area. Crown products and specifications are subject to change without notice.



You can count on Crown to build lift trucks designed for safe operation, but that's only part of the safety equation. Crown encourages safe operating practices through ongoing operator training, safety-focused supervision, maintenance and a safe working environment. Go to crown.com and view our safety section to learn more.

Crown Equipment Corporation
New Bremen, Ohio 45869 USA
Tel 419-629-2311
Fax 419-629-3796
crown.com

Because Crown is continually improving its products, specifications are subject to change without notice.

Crown, the Crown logo, the Momentum symbol, Pick Position Controls, The X10 Handle, Access 1 2 3, e-GEN, InfoLink, QuickPick, and Work Assist are trademarks of Crown Equipment Corporation in the United States and other countries.

Copyright 2006-2019 Crown Equipment Corporation
SF19508 Rev. 11-19
Printed in U.S.A.